



*Trim***WORKS**

Montpelier Surround Installation Instructions for use with the Montpelier Wood Insert

The Montpelier Wood Insert has several different surround options: Traditional Cast Surround, Small Cast Profile Surround, Bevel Cast Trim Surround, Steel Surround Panels, and Georgian Cast Surround. The installation instructions for each are found in this manual. Locate the correct instructions for your model and proceed with the installation.

NOTE: Cast iron parts can be heavy, an assistant would be advisable.

CAUTION: Porcelain enamel is fragile. The finish can be easily damaged if castings are not handled carefully. Always place castings on a protective surface, such as a towel, blanket or carpet.

Table of Contents

Traditional Cast Surround Models: MEAD3CB, MEAD3EB, MEAD3BS	2
Small Cast Profile Surround Models: CAPCB, CAPEB	4
Bevel Cast Trim Surround Model: LHEABSL	6
Steel Surround Panels Models: LHE30SSB, LHE30SLB, LHE30SLGA	6
Georgian Cast Surround Models: 30DVSGTKCB, 30DVSGTKB	7
Replacement Parts	10

Traditional Cast Surround

Models: MEAD3CB, MEAD3EB, MEAD3BS

Read these instructions before beginning the installation.

Check Contents of Shipping Carton

Compare contents of carton in Figure 2 with actual parts received. If any parts are missing or damaged, contact your dealer before starting the installation.

Surround parts:

1. Right column
2. Mantel
3. Left column
4. Lower bracket (2)
5. Upper bracket (2) (not used on Montpelier Insert)
6. Switch housing (not used on Montpelier Insert)
7. Hex head bolt, 1/4"- 20 x 3/8" (4)
8. Phillips pan head bolt, 1/4" x 3/8" (6)
9. Washers, 7/8" (4)

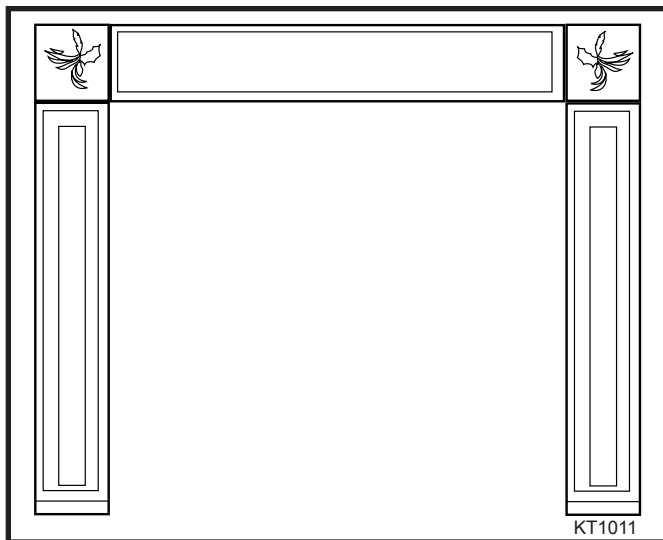


Fig. 1 Front view of surround assembly.

General Information

The assembly includes three (3) cast iron surround panels, lower brackets and hardware. The upper brackets and switch housing are not used with the Montpelier Wood Insert.

Install the Traditional Cast surround after all other installation work has been completed, thoroughly checked, and tested for proper operation, leaks and installation requirements.

Tools required: Phillips screwdriver, 7/16" wrench.

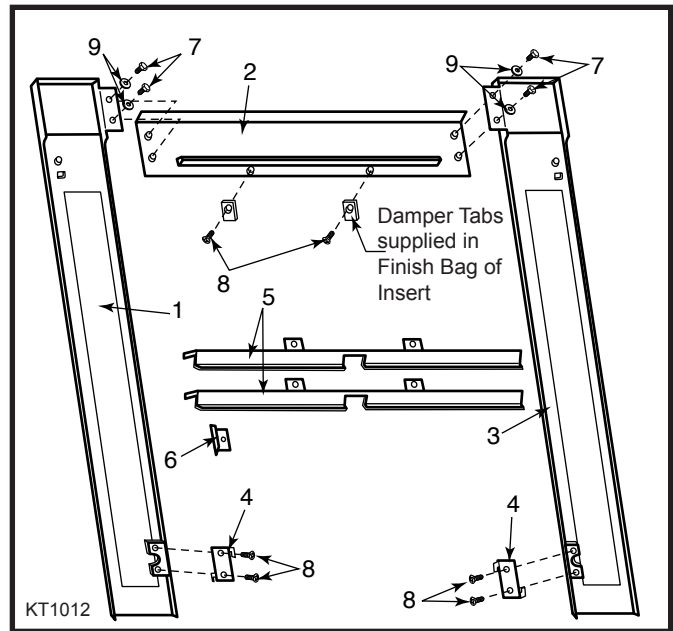


Fig. 2 Rear view of surround assembly.

Assembling the Surround

Lay out the parts, face down, on a flat padded surface. (Fig. 2)

1. Align the holes in the top flanges of the left and right columns with the drilled and tapped bosses onto the left and right ends of the mantel.
2. Attach the mantel to the columns with four (4) 1/4"-20 hex bolts and washers.
3. Attach two (2) damper tabs (supplied in Finish Bag of Montpelier Insert) using two (2) 1/4" x 3/8" Phillips pan head bolts to backside of center mantel. (Fig. 2) **NOTE:** Make sure damper tabs hang down.
4. Attach the two (2) lower brackets to the bottoms of the columns with two (2) 3/8" Phillips pan head bolts each. (Fig. 2) **NOTE:** When positioning the right column lower bracket, make sure one of the hooked flanges is in the upper right hand corner and facing away from you. (Fig. 2) The left column lower bracket is the opposite way.

Attach the Surround to the Montpelier

1. Once the insert is installed and tested for proper operation as directed, stand the Traditional Cast Surround in front of the insert.
2. Position the surround in front of the insert and, with the help of an assistant, gently lift the surround up and over the top sheet metal flange. Make sure the damper tabs are positioned on the back side of the flange. At the same time, align the bottom brackets through the slots on the side flanges. (Fig. 3)
3. Adjust the surround, left to right, so there is an equal reveal and secure by applying downward pressure until the brackets have engaged onto the insert. (Fig. 3)

Assembly complete.

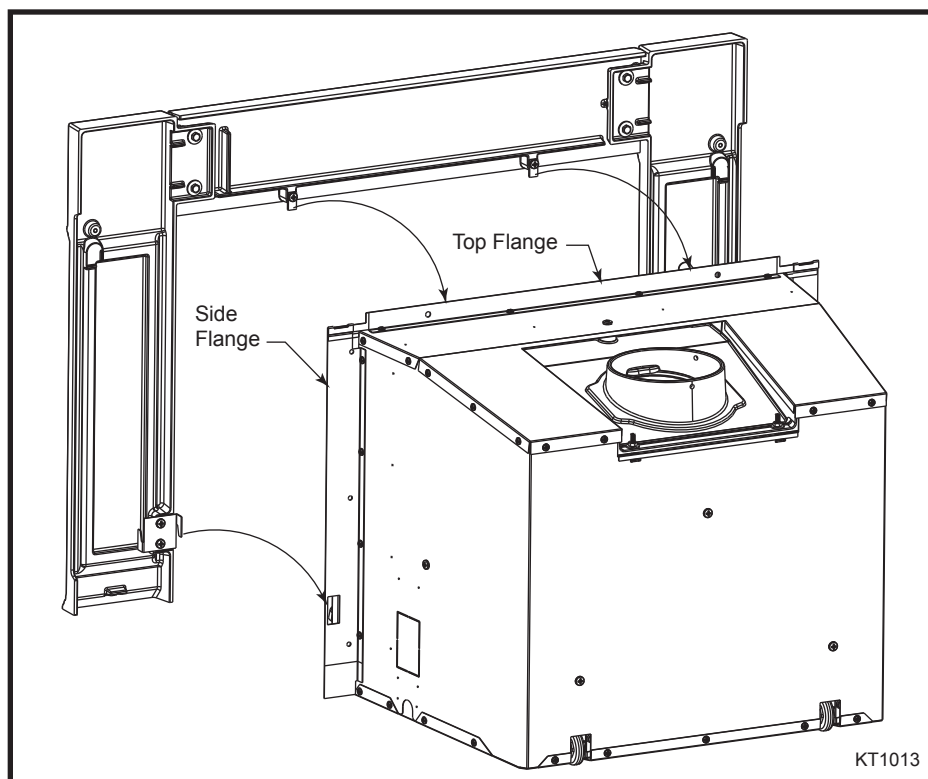


Fig. 3 Lift surround up and over top flange and up and through side flange holes.

Small Cast Profile Surround

Models: CAPCB, CAPEB

Read these instructions before beginning the installation.

CAUTION: Always place castings on a flat protected work surface, such as a towel, blanket or carpet.

These instructions are for the assembly and installation of the Small Cast Profile Surround to the Montpelier Insert.

Carefully unpack and inspect all components from the shipping box. Report any missing or damaged parts to your dealer immediately. Install trim kit after all other insert installation work has been completed, thoroughly checked and tested for proper operation, leaks and installation requirements.

Tools required: Tape measure.

Surround Parts

Column Right Assembly

- Column, right
- Boot, right
- Slider clip, right
- Bracket, On/Off switch (not used on Montpelier Insert)
- 1/4-20 Round head screw (2)
- 1/4-20 Wing screw (2)
- 1/4 Flat washer (3)

Column Left Assembly

- Column, left
- Boot, left
- Slider clip, left
- 1/4-20 Round head screw
- 1/4-20 Wing screw (2)
- 1/4 Flat washer (3)

Key

- Upper mounting bracket
- Upper mounting bracket R (not used on Montpelier Insert)
- Hardware Bag
- 1/4-20 Wing Screw (5)
- 1/4 Flat washer (5)

Assembly Instructions

1. Place the key on your work surface with the threaded holes facing up.
2. Place the column right assembly onto the key. (Fig. 4)
3. Place the column left assembly onto key. (Fig. 5)

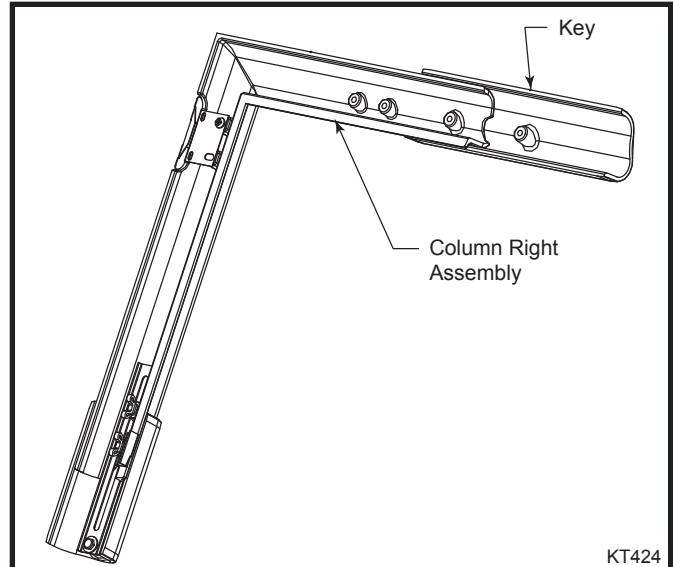


Fig. 4 Place column right assembly onto key.

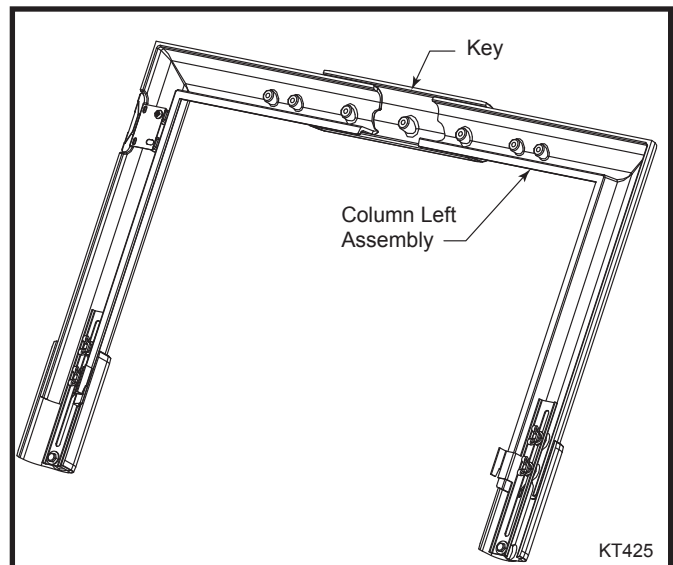


Fig. 5 Place column left assembly onto key.

4. Install the upper mounting bracket. Use the upper mounting without the marked "R" stamped on the face. (Fig. 6)
5. Fasten the upper mounting bracket to the key with a 1/4-20 wing screw and 1/4 flat washer finger tight. (Fig. 6)

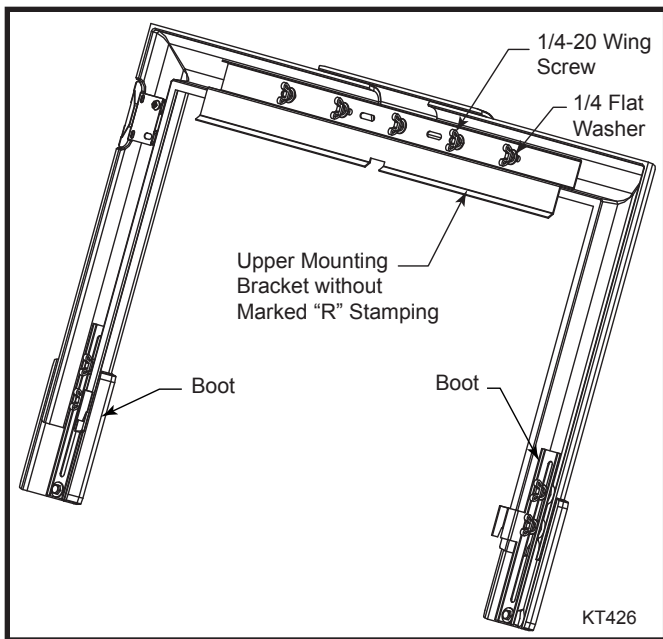


Fig. 6 Install upper mounting bracket.

6. Fasten the upper mounting bracket to both column assemblies using two (2) 1/4-20 wing screws and two (2) 1/4 flat washers per side, finger tight. The distance between the insides of the columns should measure 29 $\frac{1}{4}$ " (743 mm).
7. Adjust the column/boot length (measure from the bottom side of the key to the bottom of the boot). It should measure 22 $\frac{1}{4}$ " (565 mm).
8. Position the surround in front of the insert and, with the help of an assistant, gently lift the surround up and over the top sheet metal flange. At the same time, align the bottom brackets through the slots on the side flange. As you lower the surround onto the insert, the side clips and top bracket will engage. If height and width adjustments are required, lift the surround up and out. Make the adjustments. Regardless if adjustments were made or not, tighten all wing screws fasteners and return the surround to the insert. (Fig. 7)

Assembly complete.

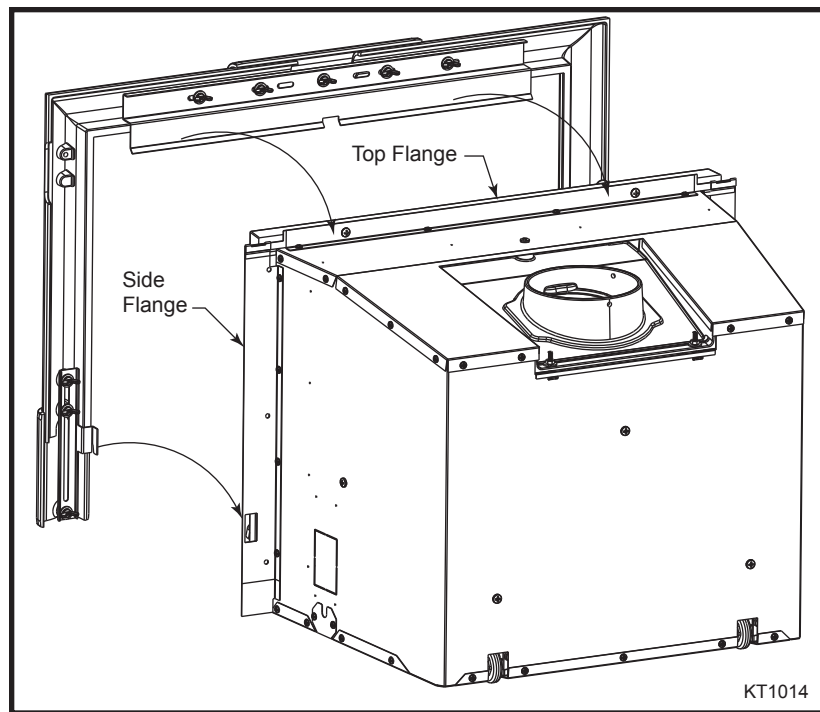


Fig. 7 Lift surround up and over top flange and up and through side flange holes.

Bevel Cast Trim Surround

Model: LHEABSL

Steel Surround Panels

Models: LHE30SSB, LHE30SLB, LHE30SLGA

Read these instructions before beginning installation.

Check Contents of Shipping Carton

Examine contents of shipping carton. If any parts are missing or damaged, contact your local dealer before starting installation.

Surround Parts

- Trim kit assembly
- Trim mounting hood
- Trim bottom (2) (not used on Montpelier Insert)
- Trim deflector (not used on Montpelier Insert)
- Hardware package

Installation Instructions

Install the Bevel Cast Trim Surround or Steel Surround Panels after all other installation work has been completed, thoroughly checked, and tested for proper operation, leaks and installation requirements.

1. Remove all plastic from trim kit.
2. Before installing trim kit, LHEABSL, some modifications must be completed. Remove two (2) or four (4) wing nuts from the back of the trim kit and locate the trim mounting hood to the two (2) or four (4) outer holes. Fasten the wing nuts back in position. (Fig. 8)

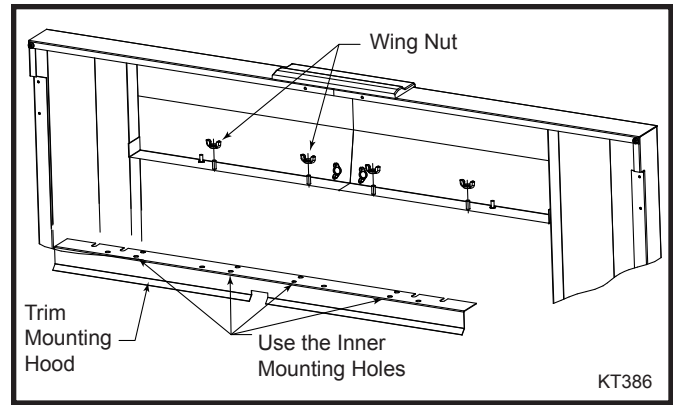


Fig. 8 Adjust trim mounting hood to correct hole location.

Assembly Instructions

1. Once the insert has been installed and tested for proper operation as directed, stand the Bevel Cast Trim Surround or Steel Surround Panels in front of the insert.
2. Position the surround in front of the insert and with the help of an assistant, gently lift the surround up and over the top sheet metal flange, at the same time, align the bottom brackets through the slots on the side flanges. (Fig. 9)
3. Adjust the surround, left to right, so there is an equal reveal on either side. Secure by applying downward pressure until the brackets have engaged onto the insert. (Fig. 9)

Assembly complete.

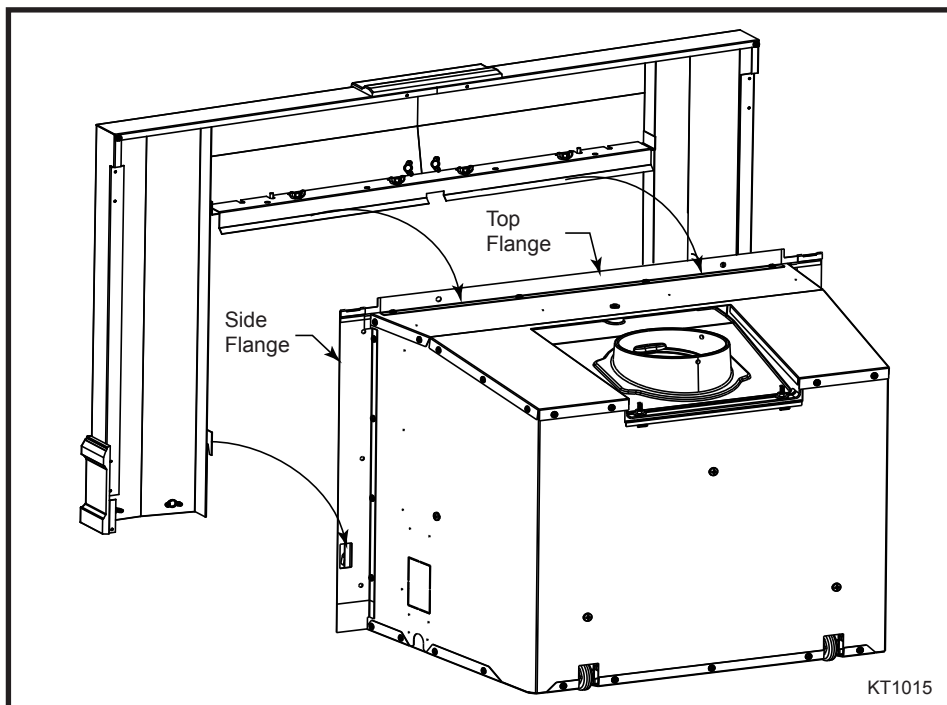


Fig. 9 Lift surround up and over top flange and up and through side flange holes.

Georgian Cast Surround

Models: 30DVSGTKCB, 30DVSGTKB

DVSGTKCB - Classic black cast iron

DVSGTKB - Ebony black enameled cast iron

NOTE: Cast iron parts can be heavy, an assistant would be advisable for this installation.

CAUTION: Porcelain enamel is fragile. The finish can be easily damaged if castings are not handled carefully. Always place castings on a protective surface, such as a towel, blanket or carpet.

Tools required: 7/16" wrench, measuring tape, Phillips screwdriver, straight edge, (i.e. yard stick, broom handle, pc of wood)

Check Contents of Shipping Carton

Compare contents of carton in Figure 10 with actual parts received. If any parts are missing or damaged, contact your local dealer before starting installation.

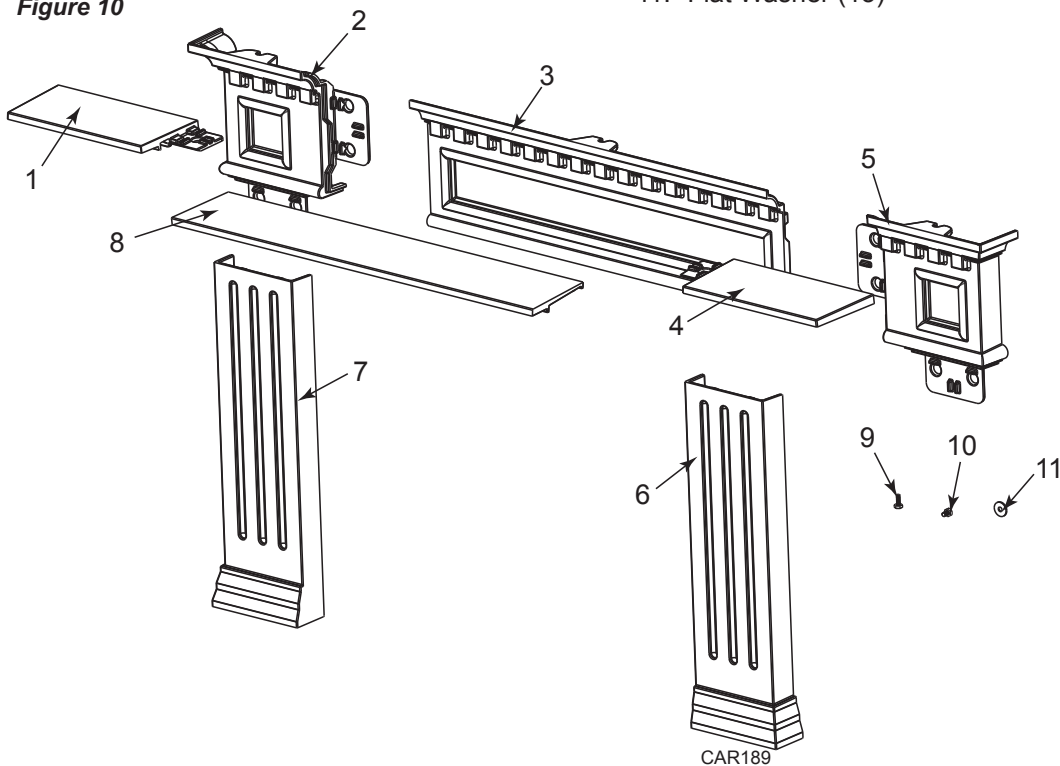
Surround Parts

1. Left Mantel
2. Left Trim
3. Center Trim
4. Right Mantel
5. Right Trim
6. Right Column
7. Left Column
8. Center Mantel

Hardware

9. Hex Head Bolt 1/4-20 x 5/8", (3)
10. Hex Head Bolt 1/4-20 x 3/8", (10)
11. Flat Washer (13)

Figure 10

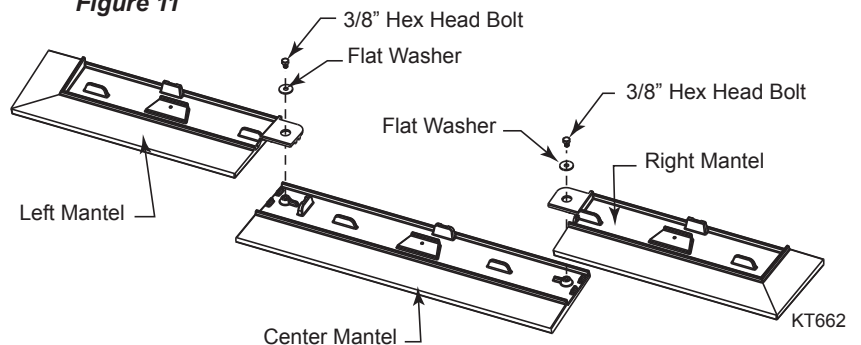


Installation

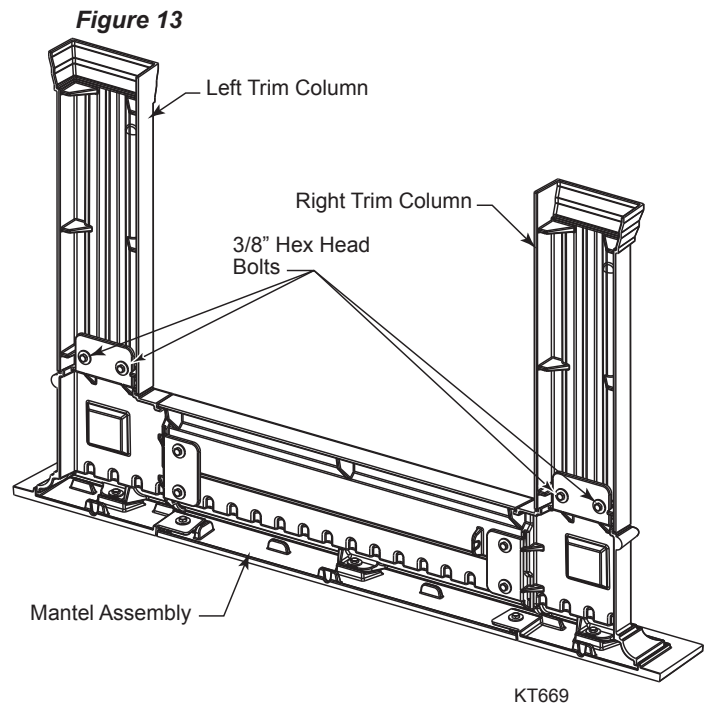
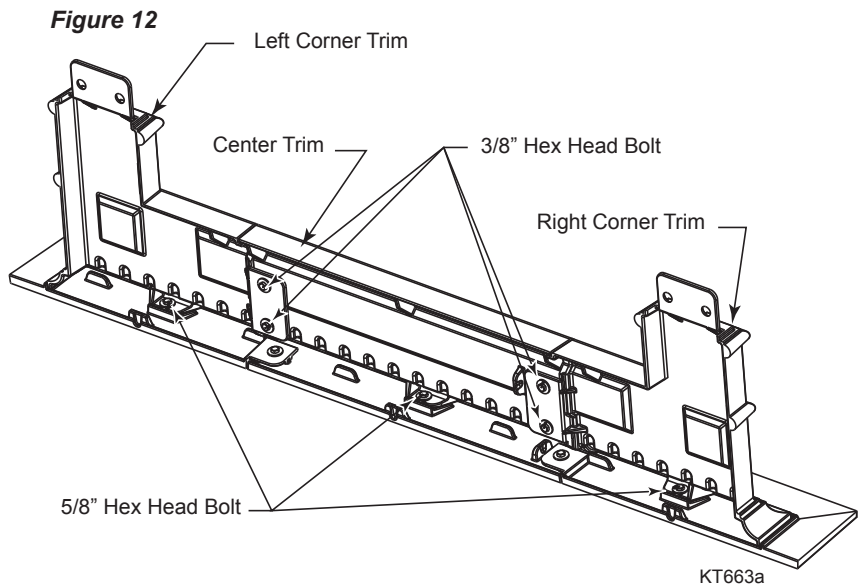
NOTE: In the initial assembly of Steps 1 through 5, all fasteners should be tightened only by hand.

1. Place the right, left and center mantel pieces on a protected flat surface. Using two (2) 1/4-20 x 3/8" hex head bolts and two (2) flat washers, assemble the components together finger tight. (Fig.11)

Figure 11



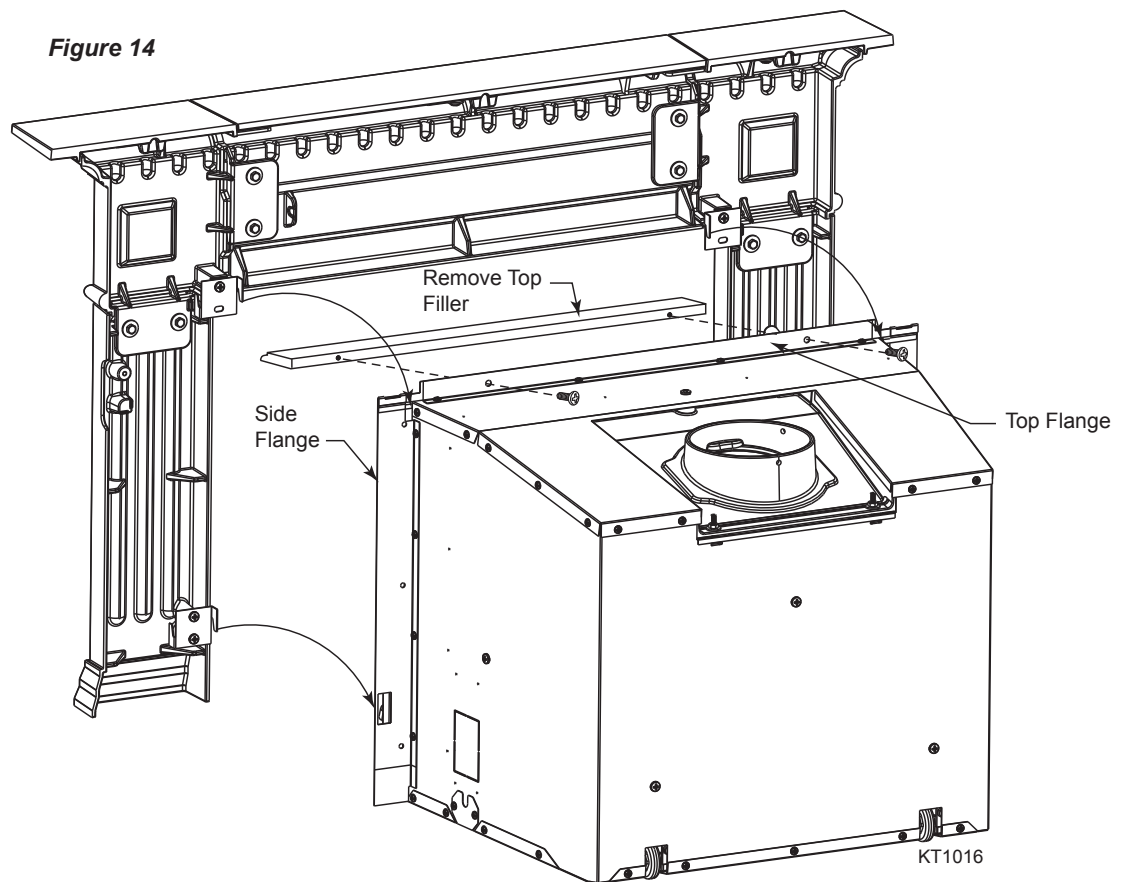
2. Attach the left corner trim to the mantel assembly using one (1) 1/4-20 x 5/8" hex head bolt and one (1) flat washer. (Fig. 12)
3. Attach the right corner trim to the mantel assembly using one (1) 1/4-20 x 5/8" hex head bolt and one (1) flat washer. (Fig. 12)
4. Attach the center trim to the mantel assembly between the left and right ends using one (1) 1/4-20 x 5/8" hex head bolt and one (1) flat washer in the center of the mantel. (Fig. 12)
5. Using four (4) flat washers and four (4) 1/4-20 x 3/8" hex head bolts, attach the left corner trim and right corner trim to the center trim. (Fig. 12)
6. Using a straight edge gently placed against the front edge of the mantel assembly, align the left, right and center mantels. Tighten all fasteners snugly. Be careful not to over-tighten.
7. Using four (4) flat washers and four (4) 1/4-20 x 3/8" hex head bolts, attach the trim columns to the left and right corner trims finger tight only. (Fig. 13)
8. Using the measuring tape, measure between the columns to assure equal distance within the opening. First check the distance between columns near the top of the unit and then at the bottom of the columns. Adjust accordingly and securely tighten.



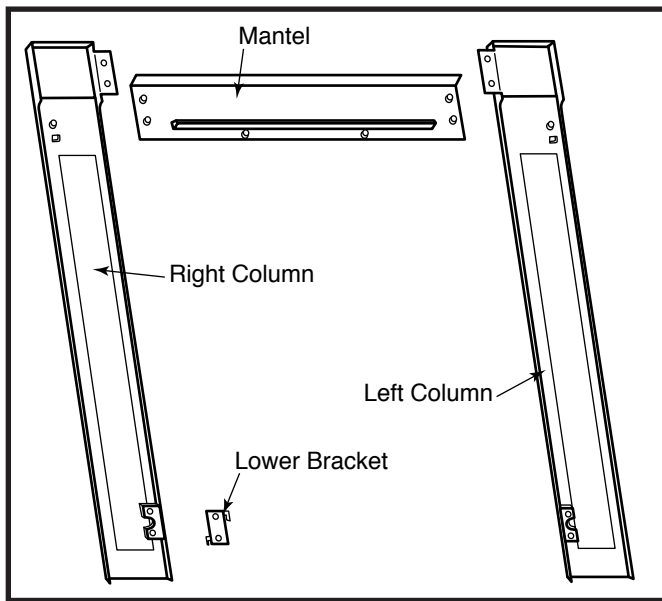
Assemble the Surround to the Insert

1. Before you install the Georgian Cast Surround to the Montpelier Insert, you must first remove the top cast filler. To do this remove the two (2) screws on the back side of the top flange that hold the filler in place. You can then install the unit onto the insert.
2. Once the insert is installed and tested for proper operation as directed, stand the Georgian Cast Surround in front of the insert.
3. Position the surround in front of the insert and with the help of an assistant, gently lift the surround up and over the top flange, allowing the top brackets to hook over the flange. At the same time, align the bottom brackets through the slots on the side flanges. (Fig. 14)
4. Adjust the surround, left to right, so there is an equal reveal on either side. Secure by applying downward pressure until the brackets engage onto the insert. (Fig. 14)

Assembly complete.



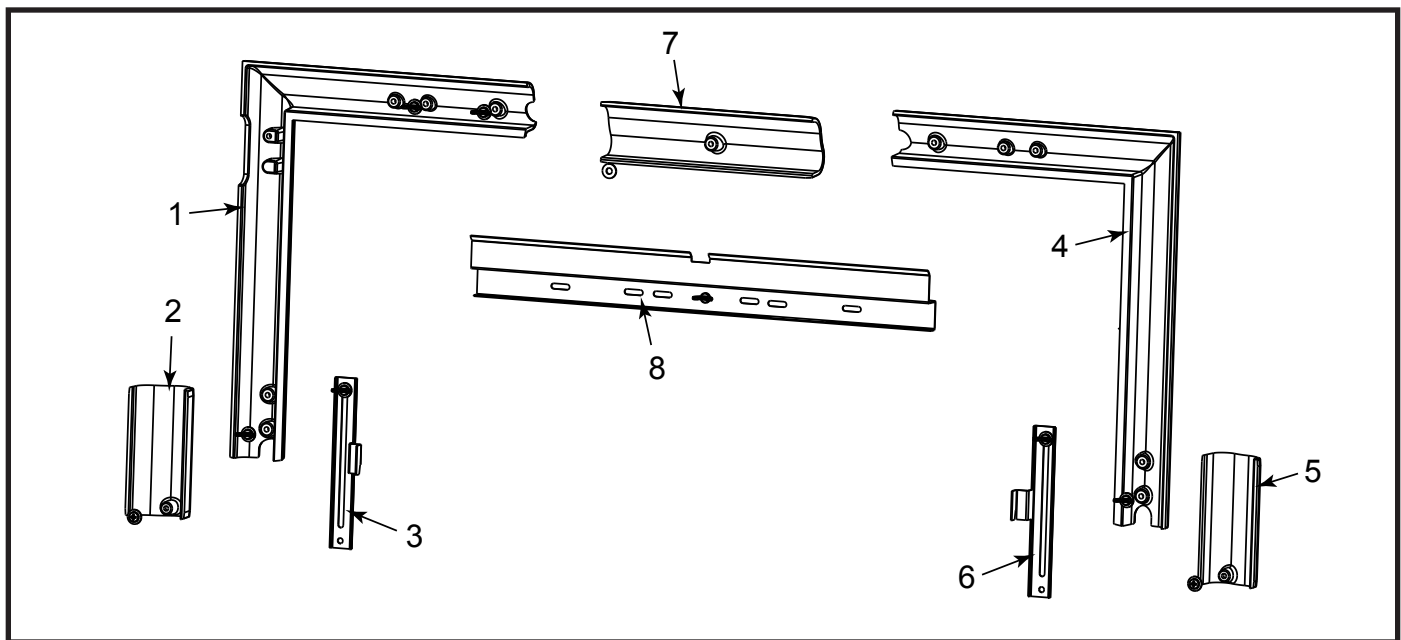
Replacement Parts



Traditional Cast Surround

Color	Right Column	Mantel	Left Column	Lower Bracket
Classic Black	30001940	30001939	30001941	10005490
Ebony	30001963	30001962	30001964	10005490
Biscuit	30004473	30004472	30004474	10005490

MHSC reserves the right to make changes in design, materials, specifications, prices and discontinue colors and products at any time, without notice.

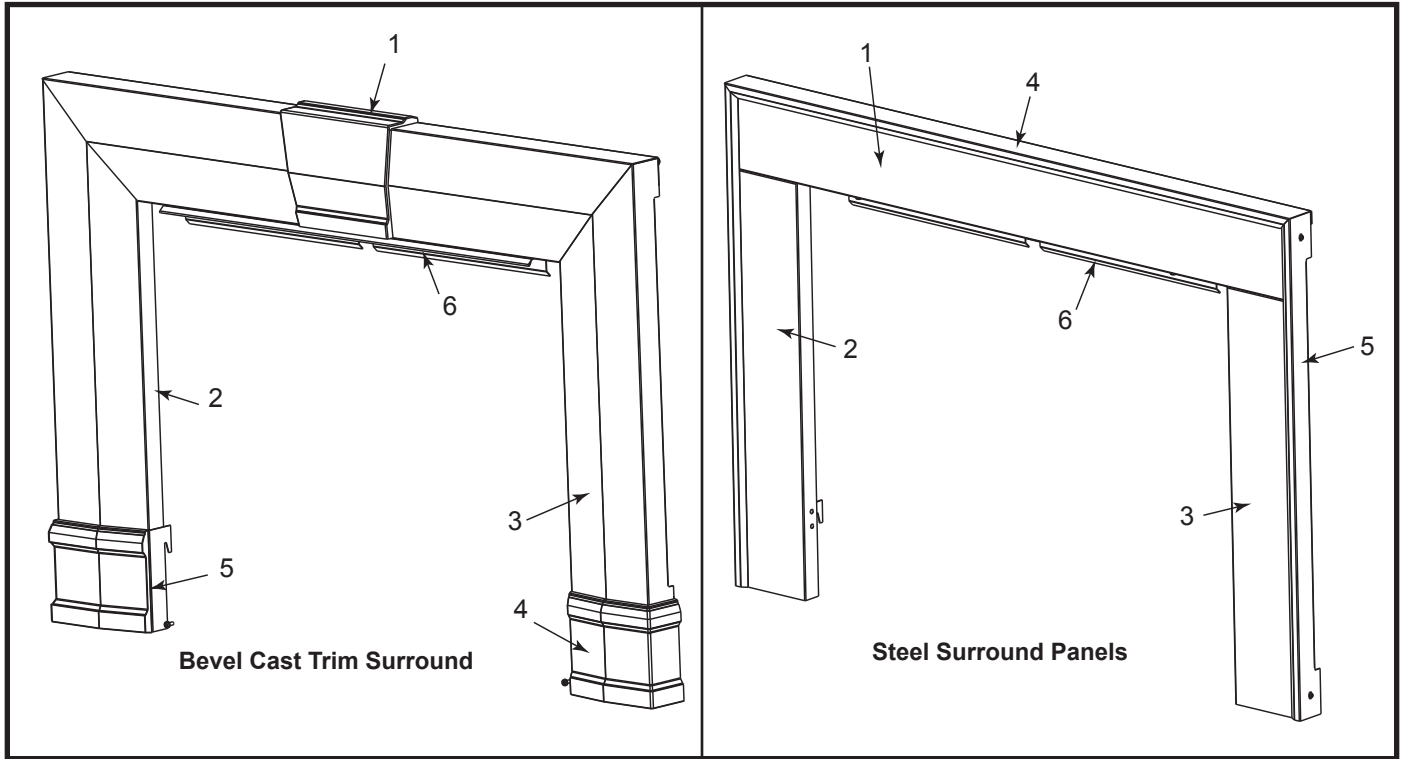


MHSC reserves the right to make changes in design, materials, specifications, prices and discontinue colors and products at any time, without notice.

Small Cast Profile Surround

Ref.	Description	Classic Black	Ebony
1.	Column Right	30001978	30004481
2.	Boot Right	30001982	30004483
3.	Slider Clip Right	30002050	30002050
4.	Column Left	30001979	30004482
5.	Boot Left	30001983	30004484
6.	Slider Clip Left	30002049	30002049
7.	Key	30001981	30004485
8.	Upper Mounting Bracket	30002053	30002053

Replacement Parts



MHSC reserves the right to make changes in design, materials, specifications, prices and discontinue colors and products at any time, without notice.

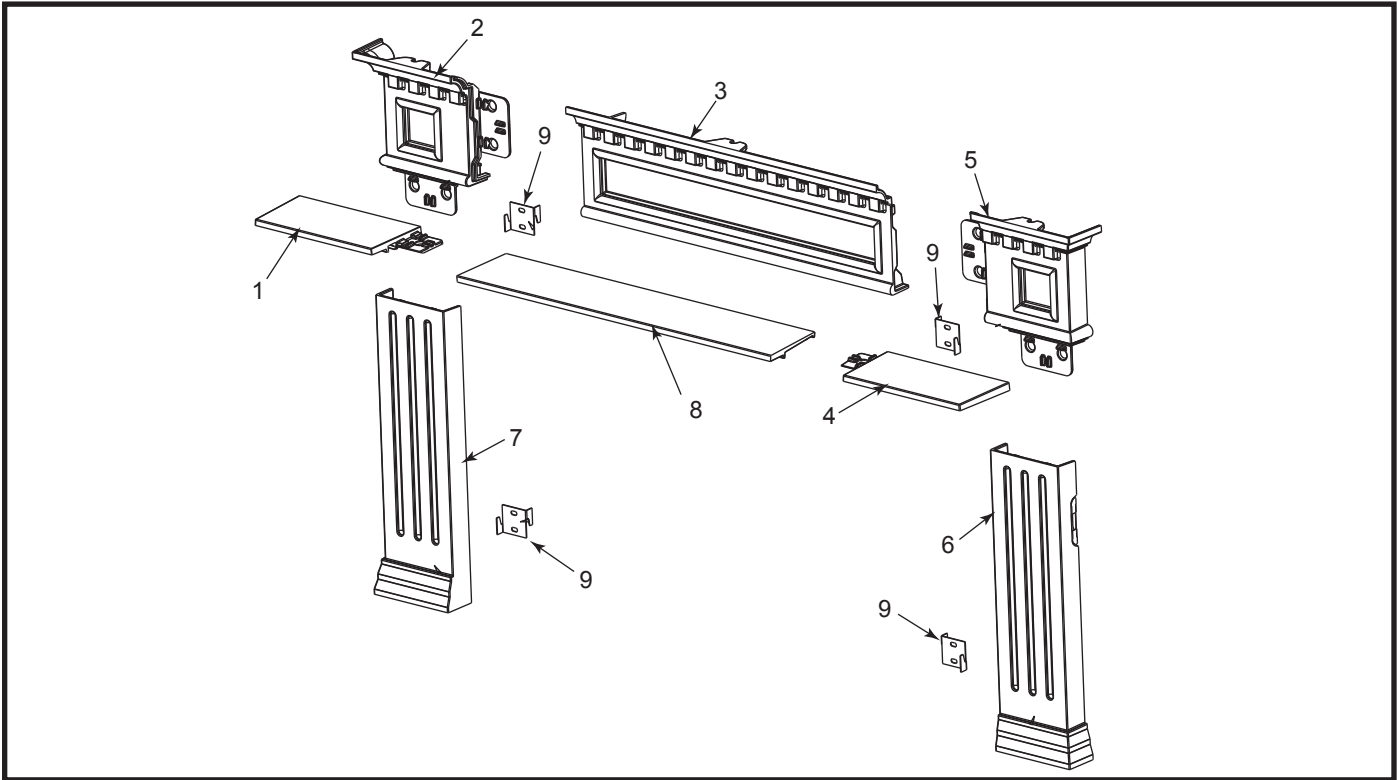
Bevel Cast Trim Surround

Ref.	Description	LHEABSL
1.	Key Center	10005447
2.	Frame Left Assembly	10005443
3.	Frame Right Assembly	10005444
4.	Boot Right	10005445
5.	Boot Left	10005446
6.	Hood Trim Mounting	10005082

Steel Surround Panels

Ref.	Description	LHE30SSB	LHE30SLB	LHE30SLGA
1.	Frame, Top Assembly	10006951	10006953	10006952
2.	Frame Left	10005391	10005387	10005439
3.	Frame Right	10005392	10005388	10005440
4.	Trim, Top	10005113	10005078	10005438
5.	Trim, Side	10005114	10005077	10005437
6.	Hood Trim Mounting	10005082	10005082	10005082

Replacement Parts



MHSC reserves the right to make changes in design, materials, specifications, prices and discontinue colors and products at any time, without notice.

Georgian Cast Surround

Ref.	Description	30DVSGTKCB	30DVSGTKB
1.	Left Mantel	30003288	30003680
2.	Left Trim	30002744	30003678
3.	Center Trim	30002708	30003674
4.	Right Mantel	30003287	30003679
5.	Right Trim	30002710	30003677
6.	Right Column	30003834	30003835
7.	Left Column	30002709	30003676
8.	Center Mantel	30003289	30003675
9.	Cast Trim Mounting Bracket	10005490	10005490

MHSC

149 Cleveland Drive • Paris, Kentucky 40361
www.mhsc.com